

Mechatronics Design of a Mobile Robot System

Ahmad A. Mahfouz

Department of Automatic and Mechatronics Systems, VladimirStateUniversity, Vladimir, RF
AlphaCenter for Engineering Studies and Technology Researches, Amman, Jordan
Email: ahmad_atallah@yahoo.com

Ayman A. Aly

Mechatronics Sec. Dept. of Mechanical Engineering, Faculty of Engineering, AssiutUniversity, 71516, Assiut, Egypt
Currently: Mechatronics Sec. Dept. of Mechanical Engineering, Faculty of Engineering, Taif University, 888, Taif, Saudi Arabia
Email: draymanelnaggar@yahoo.com

Farhan A. Salem

Mechatronics Sec. Dept. of Mechanical Engineering, Faculty of Engineering, TaifUniversity, 888, Taif, Saudi Arabia
Alpha Center for Engineering Studies and Technology Researches, Amman, Jordan
Email: salem_farh@yahoo.com

Abstract—Mobile robot motion control is simplified to a DC motor motion control that may include gear system. The simplest and widespread approach to control the mobile robot motion is the differential drive style, it consists of two in-lines with each a DC motor. Both DC motors are independently powered so the desired movements will rely on how these two DC motors are commanded. The develop design, model and control of Mechatronics mobile robotic system is presented in this paper. The developed robotic system is intended for research purposes as well as for educational process. The model of proposed mobile robot was created and verified using MATLAB-Simulink software.

Index Terms— Wheeled Mobile Robot, PMDC Motor, Mathematical Model

I. Introduction

The mobile robot system takes input voltage as actuator input, and outputs the rotational speed of the two wheels, the actuator most used for mobile robot is DC motor, because their torque-speed characteristics are achievable with different electrical configurations and their speeds can be smoothly controlled and in most cases are reversible. DC Motor control system design and its features can be analyzed by MATLAB software. Using a simple controller of PIC microcontroller, the rotation of PM motors or the Motion of Robot can be controlled easily [1].

One application form of mobile robot is line follower wheelchair, to help and support people with disabilities and special needs to perform specific predetermined tasks e.g. religious rituals (motion around holy Kaba,

Makka), two views of proposed wheelchair are shown in Fig.1. Such mobile Robot can be designed and built using the following components; two in-line with each other DC motors, a PIC microcontroller embedded on the robot and capable of controlling two drive channels, two H-bridge control circuits, 8 pairs of LED/phototransistor and range detection sensors, where PIC microcontroller takes an input signals from sensors and controls the motion of robot. Usually, mobile platforms are supported by two driving rear wheels; and with stability augmented by one or two front caster wheel(s)[2]. The two rear wheels are responsible of moving the robot, and used to turn the robot in any required direction depending on the difference of speed of wheels' rotation between the right and left wheels.

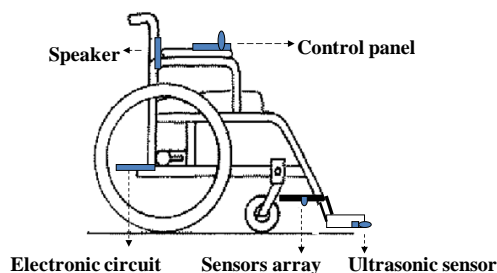


Fig. 1: (a) Mobile robot, side view

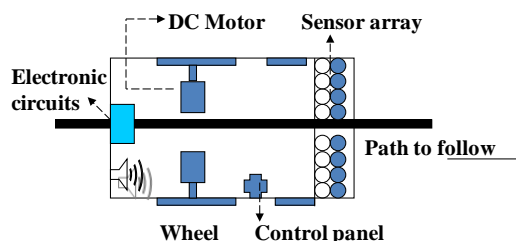


Fig. 1: (b) Mobile robot, top view

II. Modeling of the Mobile Robot

The mobile robot motion control is simplified to a PMDC motor motion control. The PMDC motor is an example of electromechanical systems with electrical and mechanical components, a simplified equivalent representation of PMDC motor's twocomponents are

shown in Fig.2 (b).The equations of motion for the robot will consider the simple case of single-degree-of freedom motion of the robot, moving forward and reverse. A simplified model of a symmetric half of the robot is constructed as shown in Fig. 2(a) and used to write the equivalent model.

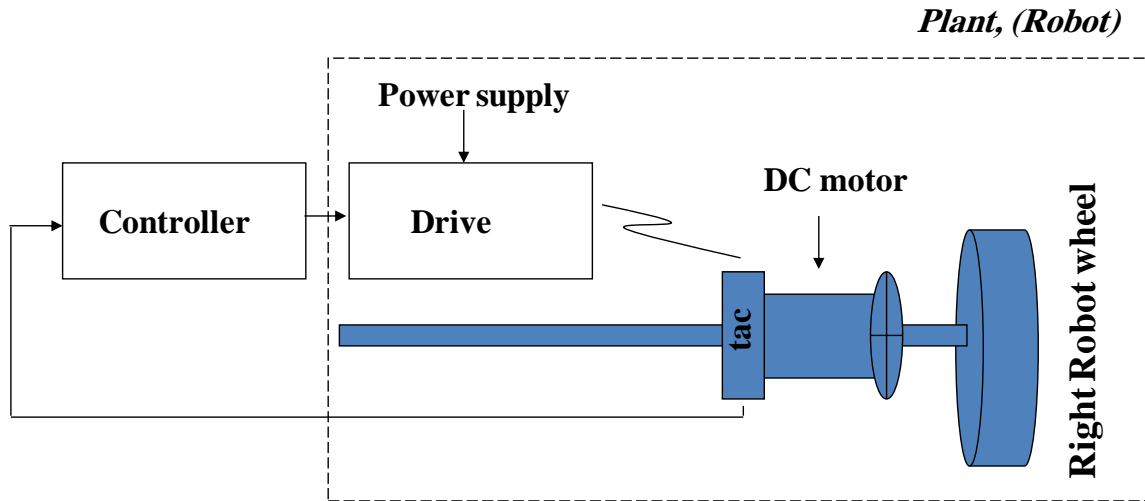


Fig. 2: (a) A simple model of half of the robot

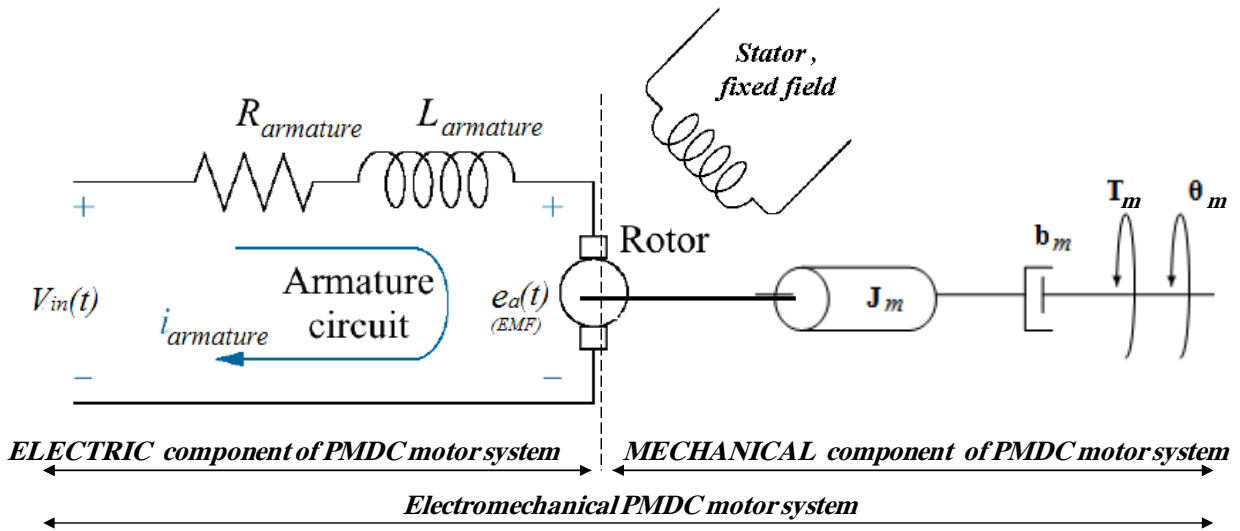


Fig. 2: (b) Schematic of a simplified equivalent representation of the PMDC motor's electromechanical components

Applying a voltage to motor coils, produces a torque in the armature. The torque developed by the motor, T_m , is related to the armature current, i_a , by a torque constant K_t , and given by the following equation:

$$\text{Motor Torque} = T_m = K_t \cdot i_a \tag{1}$$

The back electromotive force, EMF voltage, e_a is induced by the rotation of the armature windings in the fixed magnetic. The EMF is related to the motor shaft angular speed, ω_m , by a linear relation given by:

$$e_a(t) = K_b \frac{d\theta_m(t)}{dt} = K_b \omega_m \tag{2}$$

Based on the Newton's law combined with the Kirchoff's law, the differential equations describing electric characteristics of PMDC motor can be derived; Applying Kirchoff's law around the electrical loop by summing voltages throughout the R-L circuit gives:

$$\sum V = V_{in} - V_R - V_L - EMF = 0 \tag{3}$$

Applying Ohm's law, substituting, rearranging and taking Laplace transform, we get equation that describes the electrical characteristics of DC motor:

$$V_{in} = R_a * i_a(t) + L_a \left(\frac{di_a(t)}{dt} \right) + K_b \frac{d\theta(t)}{dt}$$

$$(L_a s + R_a) I(s) = V_{in}(s) - K_b s \theta(s) \quad (4)$$

The torque, developed by motor, produces an angular velocity, $\omega = d\theta/dt$, according to the inertia J and damping friction, b , of the motor and load. Performing the energy balance on the DC motor system; the sum of the torques must equal zero, we have:

$$\sum T = J * \alpha = J * d^2\theta/dt^2$$

$$T_e - T_a - T_w - T_{EMF} = 0$$

Substituting the following values: $T_e = K_t * i_a$, $T_a = J_m * d^2\theta/dt^2$, and $T_w = b_m * d\theta/dt$, in open loop PMDC motor system without load attached, where the change in T_{motor} is zero gives:

$$K_t * i - T_{Load} - J_m \left(\frac{d^2\theta}{dt^2} \right) - b_m \left(\frac{d\theta}{dt} \right) = 0$$

Taking Laplace transform and rearranging, gives:

$$K_t * I(s) - J_m * s^2 \theta(s) - b_m * s \theta(s) = 0$$

$$K_t I(s) = (J_m s + b_m) s \theta(s) \quad (5)$$

The electrical and mechanical PMDC motor two components are coupled to each other through an algebraic torque equation given by (1). To derive the PMDC motor transfer function, we need to rearrange (4) describing electrical characteristics of PMDC, such that we have only $I(s)$ on the right side, then substitute this value of $I(s)$ in (5) describing PMDC mechanical characteristics, this gives:

$$K_t \left[\frac{1}{(L_a s + R_a)} \right] [V_{in}(s) - K_b \omega(s)] = J_m s^2 \theta(s) + b_m s \theta(s) \quad (6)$$

Rearranging (6), we obtain the PMDC motor open loop transfer function without any load attached relating

the input voltage, $V_{in}(s)$, to the angular velocity, $\omega(s)$, given by:

$$G_{speed}(s) = \frac{\omega(s)}{V_{in}(s)} = \frac{K_t}{\left\{ [(L_a s + R_a)(J_m s + b_m) + K_t K_b] \right\}}$$

$$G_{speed}(s) = \frac{\omega(s)}{V_{in}(s)} = \frac{K_t}{[(L_a J_m) s^2 + (R_a J_m + b_m L_a) s + (R_a b_m + K_t K_b)]} \quad (7)$$

The total equivalent inertia, J_{equiv} and total equivalent damping, b_{equiv} at the armature of the motor are given by:

$$b_{equiv} = b_m + b_{Load} \left(\frac{N_1}{N_2} \right)^2$$

$$J_{equiv} = J_m + J_{Load} \left(\frac{N_1}{N_2} \right)^2 \quad (8)$$

The equivalent mobile robot system transfer function will be given by:

$$G_{speed}(s) = \frac{\omega_{robot}(s)}{V_{in}(s)} = \frac{K_t / n}{[(L_a J_{equiv}) s^2 + (R_a J_{equiv} + b_{equiv} L_a) s + (R_a b_{equiv} + K_t K_b)]} \quad (9)$$

For high accuracy, the inertias of the gears and wheels have to be included in the calculations, this value can be obtained from literature or calculated using the equations for the inertia of a cylinder since the gear has a form of cylinder, this can be rewritten as follows:

$$J_{equiv} = J_{motor} + J_{gear} + (J_{wheel} + m r^2) \left(\frac{N_1}{N_2} \right)^2$$

The geometry of the part determines the moment of inertia, for simplicity, the mobile robot can be

considered to be of the below shape, with the inertia calculated as shown below, where:

$$J_{load} = \frac{bh^3}{12}$$



The following nominal values for the various parameters of a PMDC motor used : $V_{in}=12$ v; Motor torque constant, $K_t = 1.188$ Nm/A; Armature Resistance, $R_a = 0.156\Omega$; Armature Inductance, $L_a = 0.82$ MH ;G geared-Motor Inertia: $J_m = 0.271$ kg.m², Geared-Motor Viscous damping $b_m = 0.271$ N.m.s; Motor back EMF constant, $K_b = 1.185$ rad/s/V, gear ratio, $n=3$,

wheel radius $r=0.075$ m, wheelchair height, $h=0.920$ m, wheelchair width, $b=0.580$ m, the distance between wheels centers = 0.4 m, The total equivalent inertia, J_{equiv} and total equivalent damping, b_{equiv} , at the armature of the motor are $J_{equiv}=0.275$ kg.m², $b_{equiv}=0.392$ N.m.s. The most suitable linear output speed of suggested mobile robot is to move with 0.5 meter per second, (that is $\omega=V/r=0.5/0.075=6.667$ rad/s. Tachometer constant, $K_{tac}=12/6.667=1.8$ rad/s.

Substituting values, we obtain the overall mobile robot open loop system transfer function, relating input voltage V_{in} and robot output angular speed ω_{robot} , to be:

$$G_{speed}(s) = \frac{\omega_{robot}(s)}{V_{in}(s)} = \frac{0.3961}{0.2256s^2 + 0.3645s + 1.469} \quad (10)$$

2.1 State space representation of PMDC open loop system:

The state variables (along with the input functions) used in equations describing the dynamics of a system, provide the future state of the system. Mathematically, the state of the system is described by a set of first-order differential equation in terms of state variables. The state space model takes the following form [1]:

$$\begin{aligned} \frac{dx}{dt} &= Ax + Bu \\ y &= CX + Du \end{aligned}$$

Rearranging (4) and (5) to have the below two first order equations, relating the angular speed and armature current:

$$\frac{d\omega}{dt} = \frac{K_t * i_a}{J_m} - \frac{b_m * \omega}{J_m} - \frac{T_L}{J_m} \quad (11)$$

$$\frac{di_a}{dt} = -\frac{R_a * i_a}{L_a} - \frac{K_b * \omega}{L_a} - \frac{V_{in}}{L_a} \quad (12)$$

Looking at the DC motor position θ , as being the output, and choosing the state variable position θ_m , velocity ω_m and armature currents i_a :

$$x_1 = \theta$$

$$x_2 = \frac{d\theta}{dt}$$

$$x_3 = i_a$$

$$x_1' = \frac{d\theta}{dt} = x_2$$

$$x_2' = \frac{d^2\theta}{dt^2} = \frac{d\omega}{dt} = \frac{K_t * i_a}{J_m} - \frac{b_m * \omega}{J_m} - \frac{T_L}{J_m}$$

$$x_3' = \frac{di_a}{dt} = -\frac{R_a * i_a}{L_a} - \frac{K_b * \omega}{L_a} - \frac{V_{in}}{L_a}$$

Substituting state variables, for electric and mechanical part equations rearranging gives:

$$x_1' = \frac{d\theta}{dt} = x_2$$

$$x_2' = -\frac{b_m}{J_m} x_2 + \frac{K_t}{J_m} x_3 - T_L$$

$$x_3' = -\frac{K_b}{L_a} x_2 - \frac{R_a}{L_a} x_3 + \frac{1}{L_a} V_{in}$$

Looking at DC motor speed, as being the output, the following state space model obtained:

$$\frac{d}{dt} \begin{bmatrix} \theta \\ \dot{\theta} \\ i_a \end{bmatrix} = \begin{bmatrix} -\frac{b_m}{J} & \frac{K_t}{J} \\ -\frac{K_b}{L} & -\frac{R}{L} \end{bmatrix} \begin{bmatrix} \theta \\ \dot{\theta} \\ i_a \end{bmatrix} + \begin{bmatrix} 0 \\ 1 \\ L \end{bmatrix} V_{in}$$

$$\dot{\theta} = [1 \ 0] \begin{bmatrix} \theta \\ \dot{\theta} \\ i_a \end{bmatrix} + [0] V_{in} \quad (13)$$

Running the Simu link model of the open loop mobile robot system(see Fig 6(a)), will result in speed/time, linear speed/time, torque/time, and current/time response curves shown in Fig. 4(a), root locus and bode plot are shown Fig. 4(b), as will as running the next m-code:

```
>>clc, clear all, close all
Vin=12 ; Kt = 1.1882 ; Ra = 0.1557; La = 0.82; Jm = 0.271; bm=0.271;
Kb = 1.185; Kt = 1.1882; n=3;Jm =0.271 ; bm=0.271;
r=0.075;chair_height=0.920;chair_wedth=0.580;
Dist_wheels=0.40;%m, distance between wheels
JLoad =(chair_wedth*(chair_height)^3)/12;
bLoad = 1.091 ;
Jequiv = Jm+ JLoad/(n)^2;
bequiv = bm + bLoad/(3)^2;
desired_linear_speed=0.5;%m/s
desired_angular_speed=(desired_linear_speed)/r;
Ktach=Vin/desired_angular_speed;
num=[Kt/n];
den=[La*Jequiv(Ra*Jequiv+bequiv*La)
(Ra*bequiv+Kt*Kb)];
G_robot_open= tf(num,den)
step(12*G_robot_open)
sisotool(G_robot_open)
```

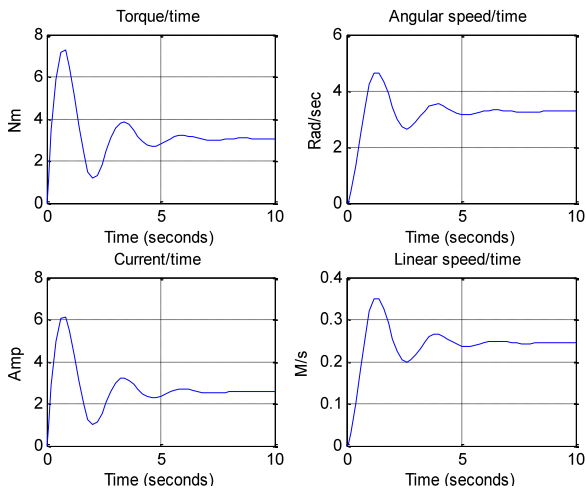


Fig. 4: (a) open loop mobile robot system; speed/time, torque/time, speed/time and current/time response curves for 12 V input

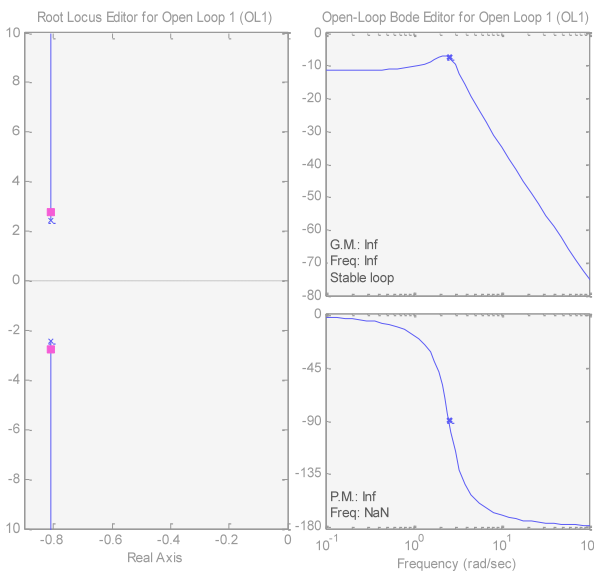


Fig. 4: (b) Root locus and bode plots

2.2 Robot differential drive Model

The simplest and widespread used approach to control the motion of mobile robot is differential drive style. It consists of two in-lines with each other DC motors. Both DC motors are independently powered so the desired movements will rely on how these wheels are commanded. The overage mobile robot speeds, linear and angular, be calculated at follows:

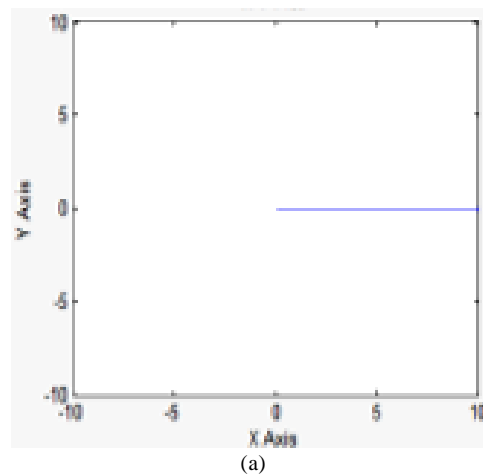
$$V_{Robot} = \frac{V_{right_wheel} + V_{Left_wheel}}{2} = \frac{V_R + V_L}{2} \quad (14)$$

$$\omega_{Robot} = \frac{V_R - V_L}{\text{The distance between wheels}} = \frac{V_R - V_L}{S} \quad (15)$$

The linear velocity is the product of the rotational velocity and the signed distance from the instantaneous center of curvature to the midpoint between the two front wheels, ($v = \omega * r$), The turning radius, r , of mobile robot can be obtained by dividing (20) by (21), that gives :

$$r_{Turning} = \frac{V_{Robot}}{\omega_{Robot}} = \frac{\frac{V_R + V_L}{2}}{\frac{V_R - V_L}{S}} = \frac{S}{2} \frac{V_R + V_L}{V_R - V_L} \quad (16)$$

Based on these equations, the extracted from [3] Simulink model is modified to be used to demonstrate differential style (see Fig.7), plot robot DC motors speeds, the position of the robot in function of its angle through time, plotting and tracking the central point of the robot, we can feed any function as an input and observe robot motion. Defining PMDC parameters and applying the same inputs to both motors in this model will result in straight line motion; applying different inputs will result in corresponding trajectory (Fig. 5(a), (b), (c)).



(a)

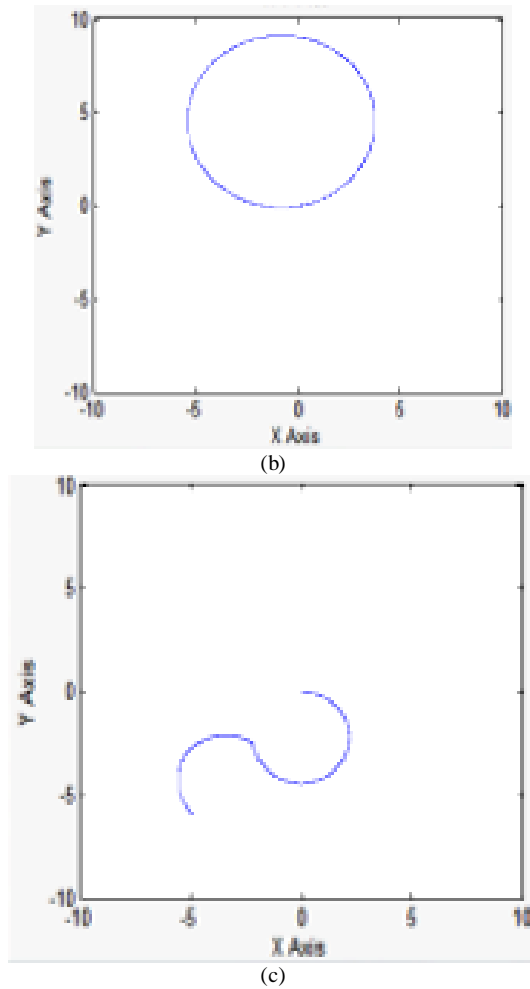


Fig. 5: (a), (b), (c) Three different trajectories of the central point of the mobile robot

III. Controller Design

The term control system design refers to the process of selecting feedback gains that meet design specifications in a closed-loop control system. Most design methods are iterative, combining parameter selection with analysis, simulation, and insight into the dynamics of the plant [4]. A suitable controller for wheeled mobile could be PID controller and Proportional-Integral (PI) controller with deadbeat response.

Tachometer is a sensor used to measure the actual output mobile robot angular speed, ω_L . Dynamics of tachometer can be represented using the following equation:

$$V_{out}(t) = K_{tac} * d\theta(t)/dt = V_{out}(t) = K_{tac} * \omega$$

The transfer function of the tachometer is given by:

$$V_{out}(s) / \omega(s) = K_{tac}$$

Tachometer constant, $K_{tac} = 12 / 6.6667 = 1.8$.

3.1 PID controller design

PID controllers are commonly used to regulate the time-domain behavior of many different types of dynamic plants [9]. The gains are to be tuned experimentally to obtain the desired overall desired response. The PID controller transfer function is given by:

$$G_{PID} = K_P + \frac{K_I}{s} + K_D = \frac{K_D s^2 + K_P s + K_I}{s} = \frac{K_D \left[s^2 + \frac{K_P}{K_D} s + \frac{K_I}{K_D} \right]}{s} \quad (17)$$

The sign of the controller's output, will determine the direction in which the motor will turn. The Simulink model of the closed loop mobile robot system with tachometer, PID controller with gains ($K_P=36.55$, $K_I=8.33$, $K_D=8.73$) is shown in Fig 6(a), running this model will result in response curves shown in Fig 6(b). Several observations can be made from the mobile

robot closed loop system with tachometer, first, for 12 V input, the mobile robot will reach output angular speed of 6.67 rad/s in 1.2 s, that is 0.5 m per second. Second, the mobile robot system draws about 17.8 A peak and about 6 A continuous in operation according to this model.

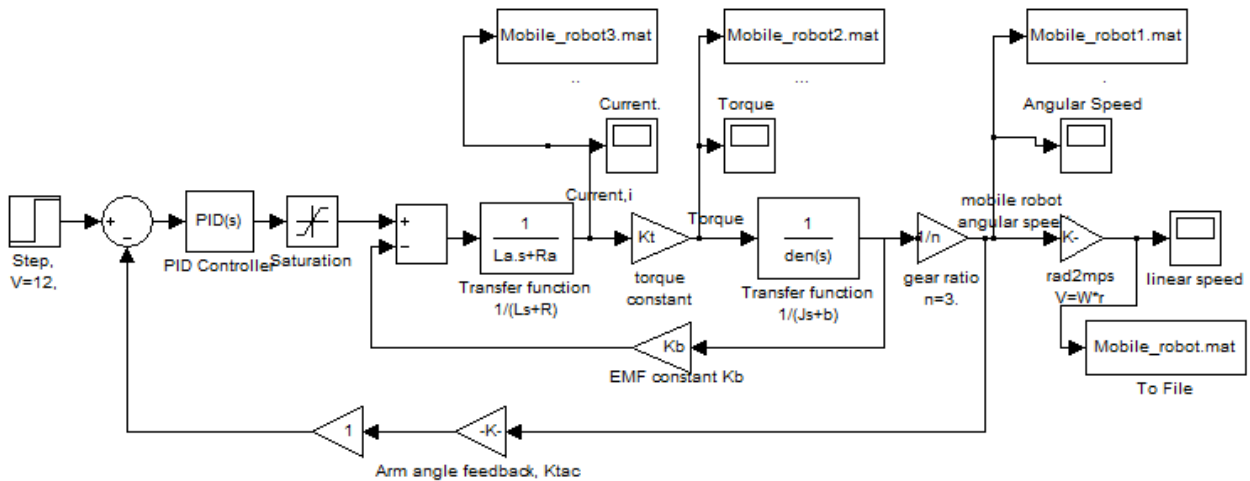


Fig. 6: (a), Mobile robot Simulink model with PID controller, closed loop mobile robot with tachometer

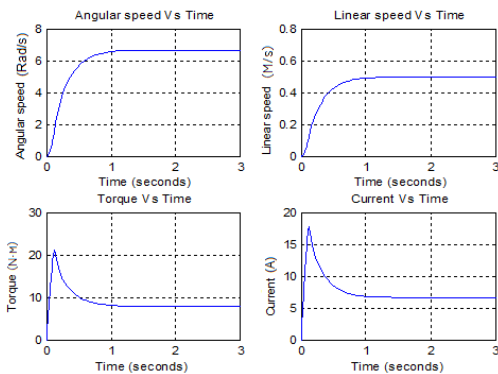


Fig. 6: (b) speed/time, torque/time, speed/time and current/time response curves of the close loop mobile robot system with tachometer feedback and PID controller

Robot differential drive Simulink Model, can be further modified to include PID controller and feedback, to have the form shown in Fig. 7.

3.1.1 Suggested Function Block with its Function Block Parameters Window

a suggested function block model for mobile robot design and analysis using PID controller is shown in Fig.8, by defining parameters and values of each DC motor, controller , gear ratio and controller gains, running model, will result in torque/time, speed/time and position/time curves shown in Fig 6(b) up.

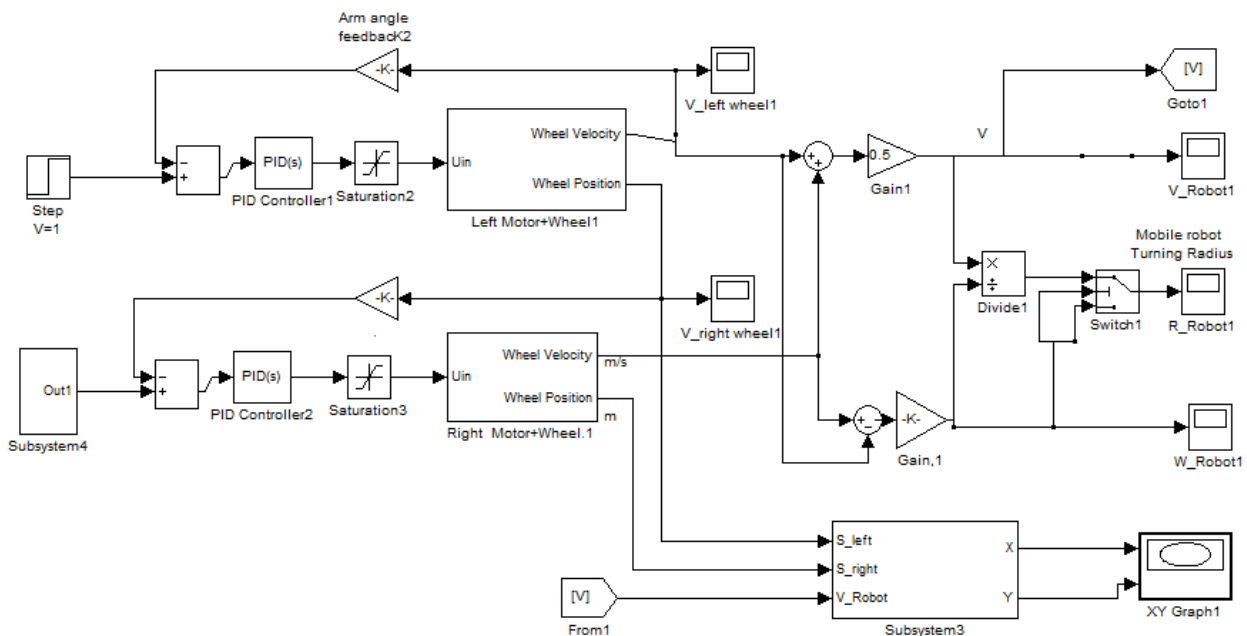


Fig. 7: Robot differential drives Model with PID controller and feedback

3.1.2 Proportional -Integral (PI) controller with deadbeat response design

Deadbeat response means the response that proceeds rapidly to the desired level and holds at that level with minimal overshoot, [5]. The characteristics of deadbeat

response include; Zero steady state error, Fast response, (short rise time and settling time) and minimal undershoot, $\pm 2\%$ error band. PI-controller transfer function is given by:

$$G_{PI}(s) = K_p + \frac{K_I}{s} = \frac{(K_p s + K_I)}{s} = \frac{K_p \left(s + \frac{K_I}{K_p} \right)}{s} = \frac{K_p (s + Z_o)}{s} \tag{18}$$

PI controller represents a pole located at the origin and a stable zero placed near the pole, at $Z_o = -K_I / K_p$, resulting in drastically eliminating steady state error due to the fact that the feedback control system type is increased by one. The PI pole and zero will affect the response, mainly the PI zero, $Z_o = -K_I / K_p$, will inversely affect the response and should be cancelled by prefilter,

therefore the required prefilter transfer function to cancel the zero is given by:

$$G_{Prefilter}(s) = \frac{Z_o}{(s + Z_o)} \tag{19}$$

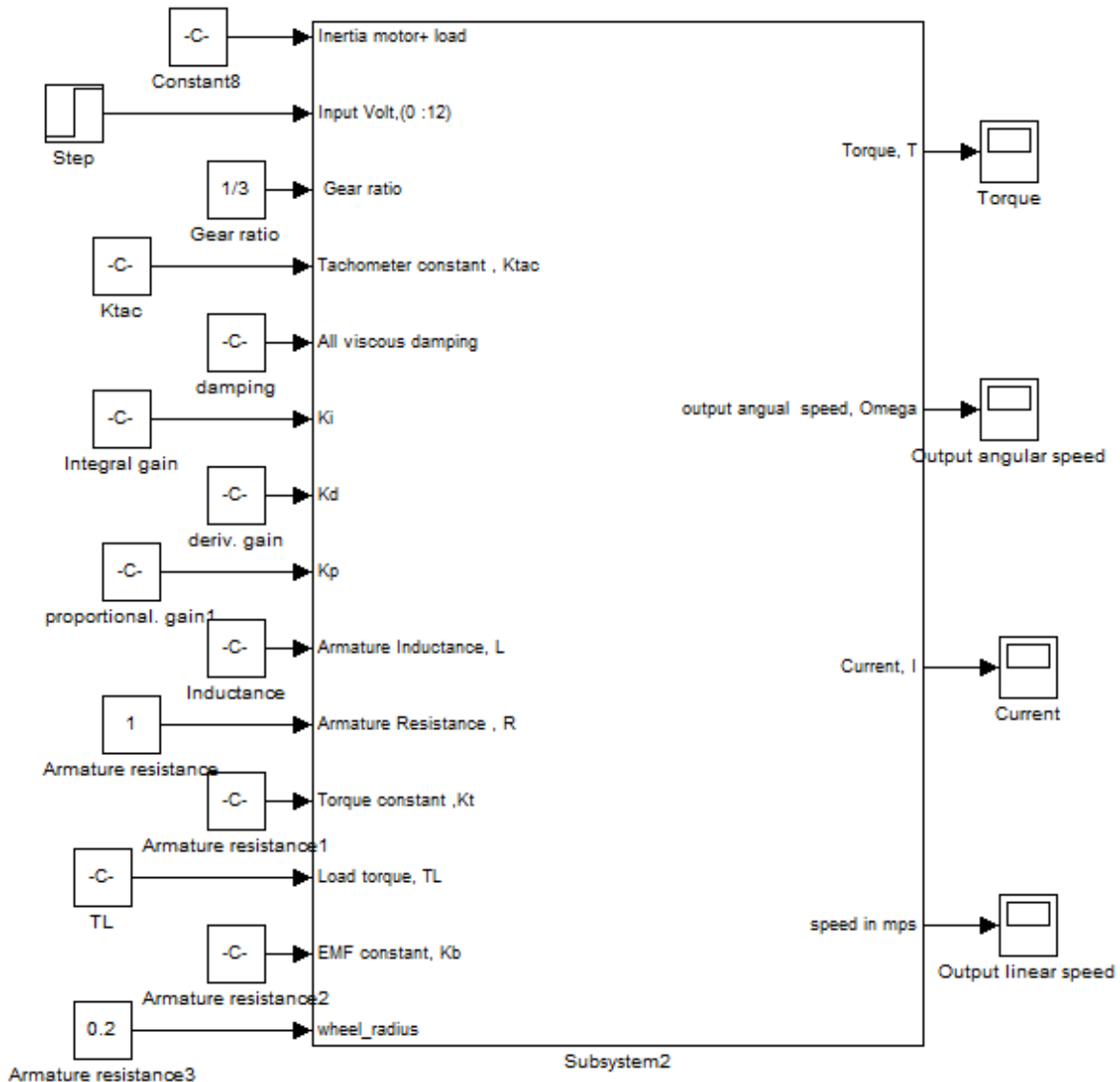


Fig. 8: Function Block using PID controller

The closed loop overall transfer function of the mobile robot $T_{mobile}(s)$, with PI controller added, can be calculated as follows; The forward transfer function is

consisting of PI controller, mobile robot forward loop transfer function, and given by:

$$G_{speed_forward}(s) = \frac{\omega_{robot}(s)}{V_{in}(s)} = \left[\frac{K_P(s + Z_o)}{s} \right] \left[\frac{K_t/n}{(L_a J_{equiv})s^2 + (R_a J_{equiv} + b_{equiv} L_a)s + (R_a b_{equiv} + K_t K_b)} \right]$$

$$G_{speed_forward}(s) = \frac{\omega_{robot}(s)}{V_{in}(s)} = \left[\frac{(s + Z_o)K_P K_t}{(nL_a J_{equiv})s^3 + (nR_a J_{equiv} + nb_{equiv} L_a)s^2 + (nR_a b_{equiv} + nK_t K_b)s} \right] \quad (20)$$

The closed loop transfer function of the mobile robot can be now calculated and given by:

$$T(s) = \frac{\omega_{robot}(s)}{V_{in}(s)} = \left[\frac{(s + Z_o)K_P K_t}{(nL_a J_{equiv})s^3 + (nR_a J_{equiv} + nb_{equiv} L_a)s^2 + (nR_a b_{equiv} + nK_t K_b)s + K_{tac} K_P K_t (s + Z_o)} \right]$$

$$T(s) = \frac{\omega_{robot}(s)}{V_{in}(s)} = \left[\frac{(s + Z_o)K_P K_t}{(nL_a J_{equiv})s^3 + (nR_a J_{equiv} + nb_{equiv} L_a)s^2 + (nR_a b_{equiv} + nK_t K_b)s + K_{tac} K_P K_t s + K_{tac} K_t K_t} \right]$$

Cancelling the PI zero by prefilter given by (19) will result in the following overall closed loop transfer function:

$$T(s) = \frac{Z_o}{(s + Z_o)} \left[\frac{(s + Z_o)K_P K_t}{(nL_a J_{equiv})s^3 + (nR_a J_{equiv} + nb_{equiv} L_a)s^2 + (nR_a b_{equiv} + nK_t K_b + K_{tac} K_P K_t)s + K_{tac} K_t K_t} \right] \quad (21)$$

The controller gains K_P , K_I , and Z_o depend on the physical parameters of the actuator drives, to determine K_P , K_I , and Z_o that yield optimal deadbeat response, the overall closed loop transfer function $T(s)$ is compared with standard third order transfer function given by (22), and knowing that α , β and ω_n are known coefficients of system with deadbeat response given by [5], gives the following:

$$G(s) = \frac{\omega_n^3}{s^3 + \alpha\omega_n s^2 + \beta\omega_n^2 s + \omega_n^3} \quad (22)$$

Rearranging (21) to match the standard third order system transfer function form (22) gives:

$$T_{speed_closed}(s) = \frac{\omega_{robot}(s)}{V_{in}(s)} = \left[\frac{\frac{K_t K_t}{nL_a J_{equiv}}}{s^3 + \frac{(R_a J_{equiv} + b_{equiv} L_a)}{L_a J_{equiv}} s^2 + \frac{(nR_a b_{equiv} + nK_t K_b + K_{tac} K_P K_t)}{nL_a J_{equiv}} s + \frac{K_{tac} K_t K_t}{nL_a J_{equiv}}} \right] \quad (23)$$

Comparing (23) with (22), rearranging and manipulating, gives:

$$\omega_n^3 = \frac{K_t K_{tac} K_t}{L_a J_{equiv} n}$$

$$\alpha\omega_n = \frac{(R_a J_{equiv} + b_{equiv} L_a)}{(L_a J_{equiv})}$$

Now, rearranging these equations to determine the coefficients; K_P , K_I , and Z_o , to have:

$$\beta\omega_n^2 = \frac{(nR_a b_{equiv} + nK_t K_b + K_{tac} K_P K_t)}{nL_a J_{equiv}}$$

$$K_p = \frac{(\beta\omega_n^2 nL_a J_{equiv}) - (nR_a b_{equiv} + nK_t K_b)}{K_{tac} K_t}$$

$$K_I = \frac{\omega_n^3 nL_a J_{equiv}}{K_{tac} K_t}$$

$$Z_o = \frac{K_I}{K_P} = \frac{\frac{\omega_n^3 nL_a J_{equiv}}{K_{tac} K_t}}{\frac{(\beta\omega_n^2 nL_a J_{equiv}) - (nR_a b_{equiv} + nK_t K_b)}{K_{tac} K_t}} = \frac{\omega_n^3 nL_a J_{equiv}}{(\beta\omega_n^2 nL_a J_{equiv}) - (nR_a b_{equiv} + nK_t K_b)} \quad (24)$$

Referring to [5], the required coefficients for our third order system are: $\alpha = 1.9$, $\beta = 2.2$ and $\omega_n T_s = 4.04$, a suitable settling time is selected to be $1.2S$, and correspondingly: $\omega_n * 1.2 = 4.04$, $\omega_n = 3.37$. The Simulink model of Proportional-Integral (PI)

controller with deadbeat response is shown in Fig.9, replacing this block with PID controller block in model shown Fig 6(a) up, and running model will result in angular speed, position, current and torque response curves, shown in Fig. 10.

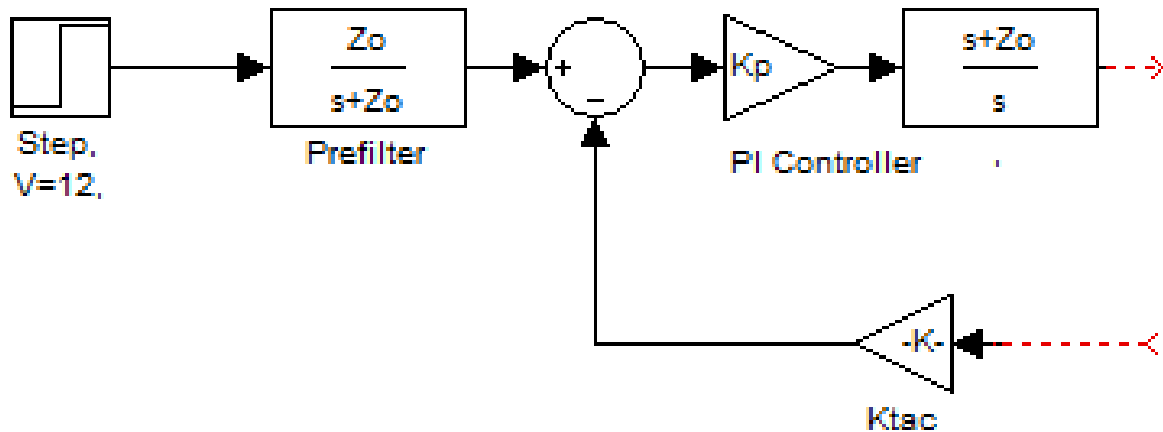


Fig. 9: Simulink block of Proportional-Integral (PI) controller with deadbeat response

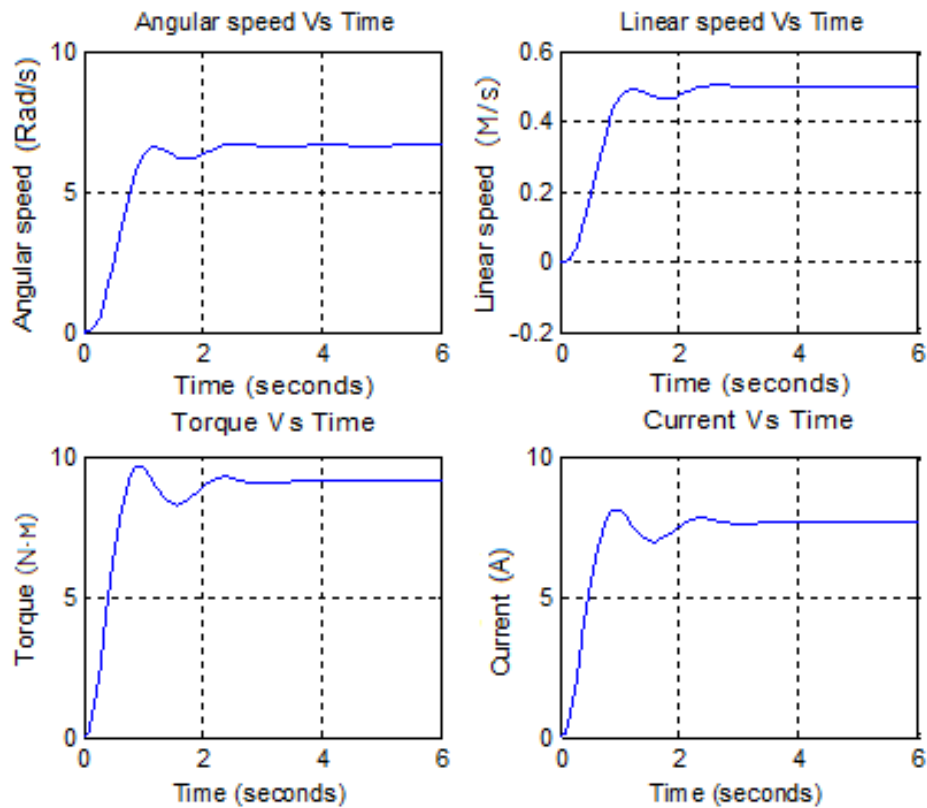


Fig. 10: speed/time, torque/time, speed/time and current/time response curves of the close loop mobile robot system with Proportional-Integral (PI) controller with deadbeat response

IV. Circuit Explanation

A simplified version of mobile robot circuit, extracted from [2] and modified, is shown in Fig. 11. The inputs are sensors outputs, sensors are line detection sensor-array consisting of with 8 pairs of IR LED/ phototransistor mounted on pitch and the ultrasonic range finder SRF05 sensor. The microcontroller used is PIC16F84A capable of controlling two drive channels; PIC is supplied with 5VDC and simple clock condition with 20 MHz crystal. The outputs are two PMDC motors and a speaker, there are two separate H-bridge circuits to drive motors, The H-bridge circuit is supplied with 12VDC and the four bits outputs of microcontroller made this part to drive the desire conditions of DC Motor. Four NPN transistors are used as switch to choose the direction of current flows to the Motor.

The sensors' outputs are inputted to the microcontroller, depend on the inputs state, the outputs conditions that controlled the H-bridge circuit are provided by (C+) software. A simplified algorithm for a PID control implementation loop is given next:

```

Read  $K_P$ ,  $K_I$ ,  $K_D$ 
previous_error = 0;
integral = 0;
Read target_position // the required position of
robot center.
while ( )
  Read current_position; // the current
  position of robot center with respect to the line.
  error = target_position - current_position; //
  calculate error
  proportional =  $K_P$  * error; // error times
  proportional gain
  integral = integral + error*dt; // integral stores
  the accumulated error
  integral = integral *  $K_I$ ;
  derivative = (error - previous_error)/dt; // stores
  change in error to derivate, dt is sampling period
  derivative =  $K_D$  * derivative;
  PID_action = proportional + integral + derivative;
  // To add PID_action to the left and right motor speed.
  // The sign of PID_action, will determine the direction
  in which the motor will turn.
  previous_error = error; // Update error
end

```

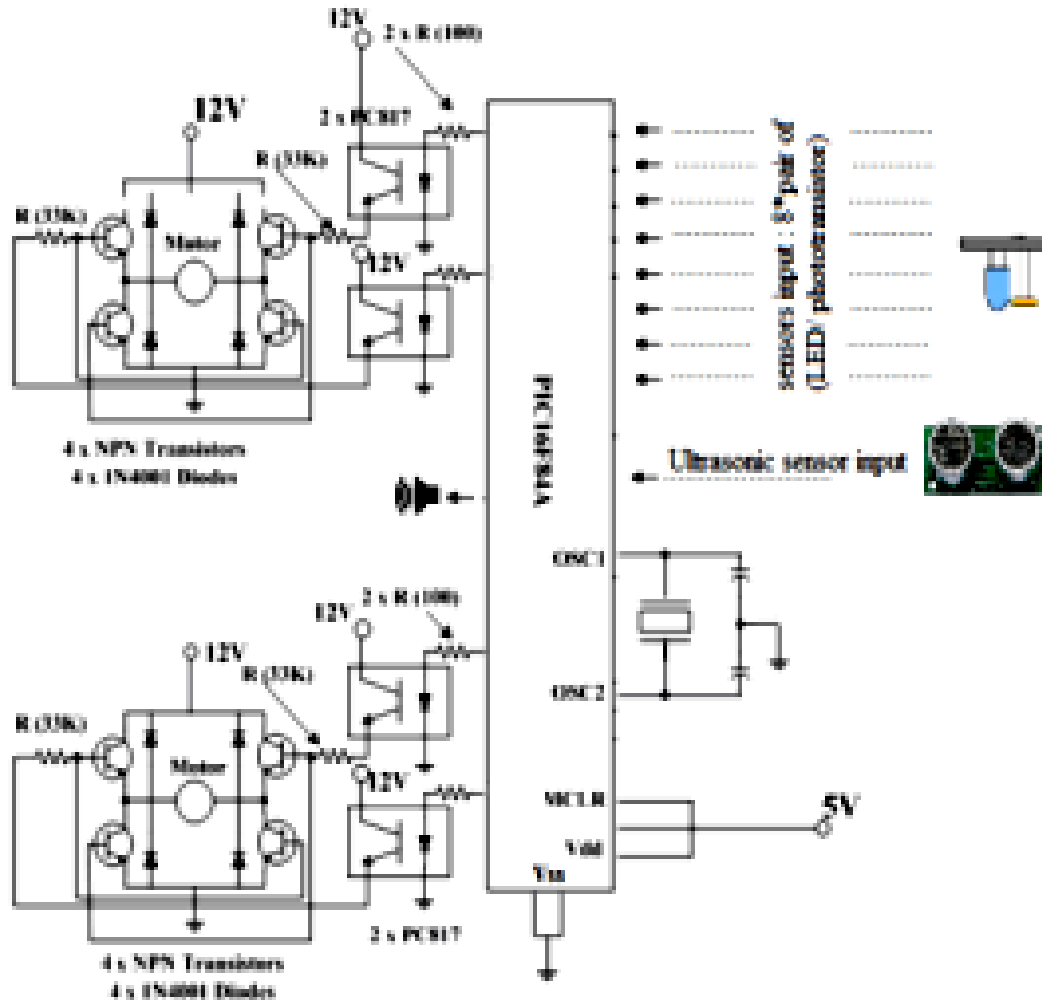


Fig. 11: Microcontroller based PMDC motor control system for mobile robot



Fig. 12: The designed Mobile Robot, Mechatronics Sec. Lab., Taif University, Taif, Saudi Arabia

V. Conclusion

A proposed design of robotic system intended for research purposes as well as for the application in educational process is introduced. The model of proposed mobile robot was created and verified using MATLAB Simulink software; real experiments with constructed robot in the form of wheelchair, were accomplished in order to verify the performed simulations. The results confirmed correctness of design of the robotic system.

PID controller enables designer to satisfy all required design specifications, providing almost all the desired response. It found that using a PID controller with suitable gains, all of the design requirements were satisfied; the PMDC motor reached the desired output angle smoothly and within a desired period of time. It has been observed that both PMDC motors and PID transfer functions, control have a large influence upon the response of the system. To achieve a fast response to a step command with minimal overshoot and zero steady state error, so called deadbeat response, can be applied to meet desired specifications.

Nomenclature

$V, \text{ or } V_{in}$	The applied input voltage ,(Motor terminal voltage)	Volte, V
R_a	Armature resistance,(Motor terminal resistance)	Ohm , Ω
i_a	Armature current	Ampere, A
K_t	Motor torque constant	N.m/A
K_e	Motor back-electromotive force constant	V/(rad/s)
ω_m	Motor <i>shaft</i> angular velocity	rad/s
T_m	Torque produced by the motor	N.m
J_m	Motor armature moment of inertia	kg.m ²
J_{total}	Total inertia= J_m+J_{load}	kg.m ²
L_a	Armature inductance	Henry , H
b	Viscous damping, <i>friction coefficient</i>	N.m/rad.s
$e_a, EMF:$	The back electromotive force, EMF., $EMF = K_e d\theta/dt$	$e_a, EMF:$
θ_m	The output angular position of the motor shaft	radians
ω_m	The output angular speed of the motor shaft	rad/sec
$V_R = R * i$	The voltage across the resistor	Voltage
$V_L = L di/dt$	The voltage across the inductor	Voltage
T_{load}	torque of the mechanical load	T_{load}
$T\alpha$	torque du to rotational acceleration	$T\alpha$
$T\omega$	<i>torque produced from the velocity of the rotor</i>	$T\omega$
TEMF	the electromagnetic torque.	TEMF
n	Gear ratio	
K_p	Proportional gain	
K_{tac}	Tachometer constant	

Acknowledgments

The authoress would like to acknowledge Eng. : Ahmed M. Al-otaibi, Mechatronics Section, Taif University, for his help during this work.

References

[1] W. P. Aung, Analysis on Modeling and Simulink of DC Motor and its Driving System Used for Wheeled Mobile Robot, World Academy of Science, Engineering and Technology 32 2007.

[2] Bashir M. Y. Nouri, modeling and control of mobile robot, Proceeding of the First International Conference on Modeling, Simulation and Applied Optimization, Sharjah, U.A.E. February 1-3, 2005.

[3] [http://webdelcire.com/wordpress/archives/527\(with permission\)](http://webdelcire.com/wordpress/archives/527(with%20permission))

[4] H. Alasooly, Control of DC motor using different control strategies, global journal of technology and optimization, volum 2 , 2011.

[5] R. C. Dorf and Robert H. Bishop. Modern Control Systems. Ninth Edition, Prentice-Hall Inc., New Jersey, 2001.

[6] B. Shah, Field Oriented Control of Step Motors, MSc. Thesis, SVMITB haruch, India, Dec. 2004.

Authors' Profiles



Ahmad A. Mahfouz: Bsc and Ms; Bari University Italy , Moscow state Academy. Now, Ph.D. candidate in Automatic and Mechatronics Systems, Vladimir State University and the director of alpha center for engineering studies and technology researches. Major academic and research interests: Control Systems, Robotics, Electronics, Microcontrollers, and Quantity Surveying.



Ayman A. Aly was Born in Cairo- Egypt at 1969-07-19, B.Sc. with excellent honor degree (top student), 1991 and M.Sc. in Sliding Mode Control from Mech., Eng., Dept., Assiut University, Egypt, 1996 and PhD. in Adaptive Fuzzy Control from Yamanashi University, Japan, 2003. Nowadays,

he is the head of Mechatronics Section at Taif University, Saudi Arabia since 2008. Prior to joining Taif University, He is also one of the team who established the “Mechatronics and Robotics Engineering” Educational Program in Assiut University in 2006. He was in the Managing and Implementation team of the Project “Development of Mechatronics Courses for Undergraduate Program” DMCUP Project-HEEPF Grant A-085-10 Ministry of Higher Education – Egypt, 2004-2006.

The international biographical center in Cambridge, England selected Ayman A. Aly as international educator of the year 2012. Also, Ayman A. Aly was selected for inclusion in Marquis Who's Who in the World, 30th Pearl Anniversary Edition, 2013.

In additions to 5 text books, Ayman A. Aly is the author of more than 60 scientific papers in Refereed Journals and International Conferences. He supervised some of MSc and PhD Degree Students and managed a number of funded research projects.

Prizes and scholarships awarded: The prize of Prof. Dr. Ramadan Sadek in Mechanical Engineering (top student), 1989, The prize of Prof. Dr. Talet Hafez in Mechanical Design 1990, Egyptian Government Scholarship 1999-2000, Japanese Government scholarships (MONBUSHO), 2001-2002 and JASSO, 2011, The prize of Taif university for scientific research, 2012.

Research interests: Robust and Intelligent Control of Mechatronics Systems, Automotive Control Systems, Thermofluid Systems Modeling and Simulation.



Farhan A. Salem: Bsc and Ms; Moscow state Academy, Ph.D. in Mechatronics of production systems, Now he is ass. Professor in Taif University, Mechatronics program, Dept. of Mechanical Engineering and gen. director of alpha center for engineering studies and technology researches.

How to cite this paper: Ahmad A. Mahfouz, Ayman A. Aly, Farhan A. Salem, "Mechatronics Design of a Mobile Robot System", International Journal of Intelligent Systems and Applications(IJISA), vol.5, no.3, pp.23-36, 2013.DOI: 10.5815/ijisa.2013.03.03